

MXC-DBB 30VF/31VF

WDR Dome Camera

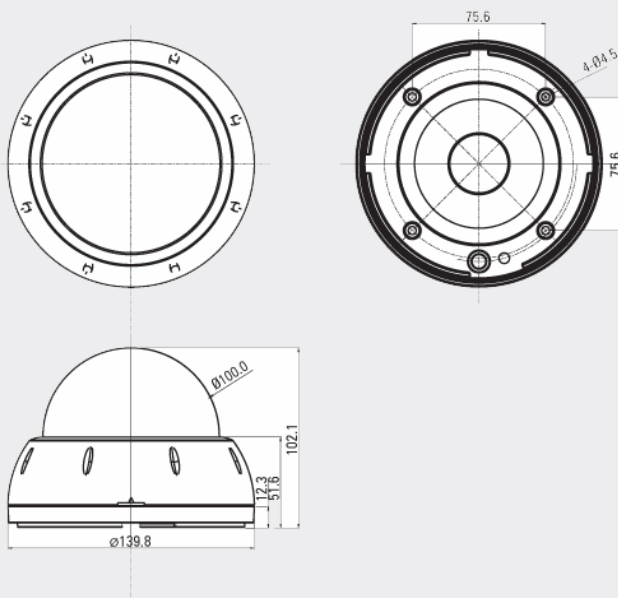


BBLUE-i

Features

- 1/3 inch Vertical Double-Density Interline CCD
- High Resolution : 580 TV Lines
- Built-in DC Iris Vari-focal Lens (f=2.8~10.5mm)
- WDR (Max. 72dB), 3D-DNR
- TDN(ICR), 6.13x Digital Zoom (On/Off)
- Min. Illumination : 0.0002Lux (DSS On, B/W)
- OSD, AWB, AGC, BLC
- Privacy Zone, Motion Detection, Eclipse
- Digital Slow Shutter (2x~128x Field)
- Extra Video Out Port for Easy Installation
- 3-Axis Movement for Free Lens Rotation
- RS-485(Pelco-D) Interface
- Dome Size 100mm

DIMENSIONS



SPECIFICATIONS

Model	DBB-30VF	DBB-31VF
Signal System	NTSC	PAL
Scanning System	2:1 Interlace	
Scanning Frequency (H)	15.734 KHz	15.625 KHz
Scanning Frequency (V)	59.94 Hz	50 Hz
Image Sensor	1/3 Inch Vertical Double-density Interline CCD	
Total Pixels	811(H) x 508(V) 410K	795(H) x 596(V) 470K
Total / Effective Pixels	768(H) x 494(V) 380K	752(H) x 582(V) 440K
Horizontal Resolution	580 TV Lines (BW 650TV Lines)	
Video Output Level	1.0V p-p (75 Ω, Composite)	
S/N Ratio	More than 52dB(AGC Off, BW Mode)	
Lens	DC Iris Vari-focal Lens (f=2.8-10.5mm, F1.2)	
Digital Zoom	6.13x	
WDR (Wide Dynamic Range)	Up to 72dB (Low/Middle/High)	
Day&Night Type	Electronic Sensitivity-up(DSS), ICR(AGC type)	
Digital Slow Shutter	Off/2x~128x Field	
Night Burst	On/Off	
Min.Illumination	0.1 Lux / 0.0002 Lux (DSS On, B/W)	
3D-DNR	Level (0~63)	
OSD	ENG / KOR / RSN / CHN / SPN / FRN	
White Balance	ATW / ANTI-ROL / PUSH / Manual	
AGC, BLC	Off / Low / Middle / High	
Brightness	0~100	
Eclipse	On/Off (16 Zones)	
Privacy Zone	On/Off (4 Programmable Zone)	
Motion Detection	On/Off (8 Programmable Zone)	
D-Effect	V-Flip / Mirror / Rotate	
Stabilizer	On/Off	
Communication	RS-485 (4800, 9600, 19200, 38400, 57600)	
Electronic Shutter Speed	1/60~1/120,000 Sec.	1/50~1/120,000sec.
Supplied Voltage	12VDC (+10%, -20%)	
Power Consumption	Max. 2.4W / 200mA	
Dimensions(ØxWxH)	100.0 x 139.8 x 102.1 mm	
Weight	Approx. 366g	