

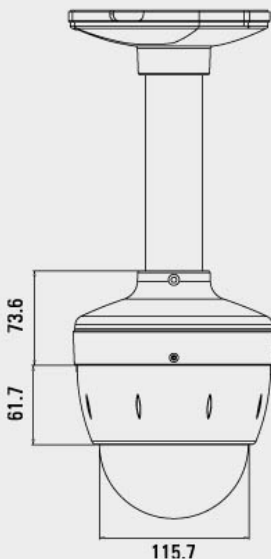
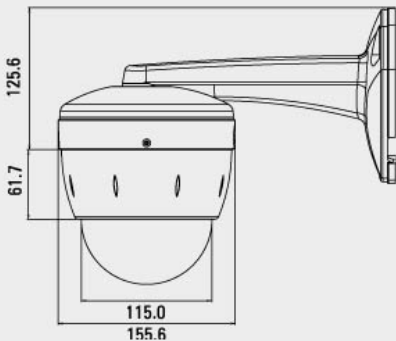


SMC1063N(P): 100x Indoor Speed Dome, 12VDC
SMC1065N(P): 100x Indoor Speed Dome, 24VDC

Features

- 127 preset positions
- 100x Zoom (Optical 10x, Digital 10x)
- Pan rotation range endless 360°
- Tilt rotation range 0° to 90°
- Pan/Tilt maximum rotating speed is 360°/sec
- 1/4" IT CCD
- 500 TVL high resolution
- Min. Illumination : 0.005 Lux (ICR On)
- Electronic sensitivity-up (DSS)
- Auto focus, Auto parking functions
- Auto-Flip function
- Privacy masking function
- RS-485 protocol compatible

DIMENSIONS



- Wall mount

Optional Accessories



SWB1000 : Wall mount bracket



SPB1000 : Pendant mount bracket

Model	SMC1063N	SMC1063P
Signal System	NTSC	PAL
Scanning System	2:1 Interlace	
Scanning Freq. (H)	15.734 kHz	15.625kHz
Scanning Freq. (V)	59.94Hz	50Hz
Sync. System	Internal / Line-Lock	
Image Sensor	1/4" IT CCD	
Effective Pixel No. (V)	768(H) x 494(V) 380K	752(H) x 582(V) 440K
H.Resolution	500 TV Lines (Color), 570 TV Line (B/W)	
Min.Illumination	Color: 0.7Lux, 0.005Lux(Sens-up), B/W:0.02Lux	
Day & Night Type	Electronic sensitivity-up (DSS), ICR(AGC Type)	
Video Output	1.0Vp-p (75Ω, composite)	
Video S/N Ratio	50dB (AGC off, Weight On)	
Communication	RS-485, Controllable up to 255 cameras simultaneously	
Camera ID / Protocol	256 IDs/Pelco-D, Pelco-P selectable	
Lens		
Zoom Ratio	100x Zoom (10x Optical Zoom, 10x Digital Zoom)	
Focal Length	3.8 (W) mm ~ 38.0 (T) mm	
Aperture Range	F1.8 (W) ~ F3.8 (T)	
Pan and Tilt		
Panning/Tilting Range	Pan: 360° endless rotation; Tilt: 90°	
Panning/Tilting Speed	Manual: 0.1° ~ 360°/sec (Zoom Proportional)	
Panning/Tilting Accuracy	±0.25°	
Preset	127 position with Labels	
Swing / Pattern / Group	8 Swings/4 Patterns (about 5min/Pattern)/8 groups (max. 20)	
Main Functions		
OSD Menu	ON/OFF (English)	
Focus Control	Auto/Manual/Semi-Auto	
Day/Night	Auto/Day/Night (ICR)	
Electronic Shutter	1/60~1/120,000sec	1/50~1/120,000sec
Iris Control	Auto/Manual	
White Balance	Auto/Manual (Red, Blue Gain Adjustable)	
BLC	Low / Middle / High / Off	
Flickerless	Selectable	
Power-up Action	Resume the last action executed (Preset, Swing, Group)	
Auto Parking / Flip	ON/OFF; ON/OFF (rotates dome 180° at bottom of tilt travel)	
Privacy Zone	On/Off (4 Zone settings)	
Alarm I/O	4 inputs, 1 outputs	
Image Setup	Global / Local (setting WB & AE)	
Electrical & General		
Power	DC 12V / Max. 3.5W	
Dimensions (approx.)	Φ115	
Weight (net)	Approx. 805.5g (without optional accessories)	

Model	SMC1065N	SMC1065P
Signal System	NTSC	PAL
Scanning System	2:1 Interlace	
Scanning Freq. (H)	15.734 kHz	15.625kHz
Scanning Freq. (V)	59.94Hz	50Hz
Sync. System	Internal / Line-Lock	
Image Sensor	1/4" IT CCD	
Effective Pixel No. (V)	768(H) x 494(V) 380K	752(H) x 582(V) 440K
H.Resolution	500 TV Lines (Color), 570 TV Line (B/W)	
Min.Illumination	Color: 0.7Lux, 0.005Lux(Sens-up), B/W:0.02Lux	
Day & Night Type	Electronic sensitivity-up (DSS), ICR(AGC Type)	
Video Output	1.0Vp-p (75Ω, composite)	
Video S/N Ratio	50dB (AGC off, Weight On)	
Communication	RS-485, Controllable up to 255 cameras simultaneously	
Camera ID / Protocol	256 IDs/Pelco-D, Pelco-P selectable	
Lens		
Zoom Ratio	100x Zoom (10x Optical Zoom, 10x Digital Zoom)	
Focal Length	3.8 (W) mm ~ 38.0 (T) mm	
Aperture Range	F1.8 (W) ~ F3.8 (T)	
Pan and Tilt		
Panning/Tilting Range	Pan: 360° endless rotation; Tilt: 90°	
Panning/Tilting Speed	Manual: 0.1° ~ 360°/sec (Zoom Proportional)	
Panning/Tilting Accuracy	±0.25°	
Preset	127 position with Labels	
Swing / Pattern / Group	8 Swings/4 Patterns (about 5min/Pattern)/8 groups (max. 20)	
Main Functions		
OSD Menu	ON/OFF (English)	
Focus Control	Auto/Manual/Semi-Auto	
Day/Night	Auto/Day/Night (ICR)	
Electronic Shutter	1/60~1/120,000sec	1/50~1/120,000sec
Iris Control	Auto/Manual	
White Balance	Auto/Manual (Red, Blue Gain Adjustable)	
BLC	Low / Middle / High / Off	
Flickerless	Selectable	
Power-up Action	Resume the last action executed (Preset, Swing, Group)	
Auto Parking / Flip	ON/OFF; ON/OFF (rotates dome 180° at bottom of tilt travel)	
Privacy Zone	On/Off (4 Zone settings)	
Alarm I/O	4 inputs, 1 outputs	
Image Setup	Global / Local (setting WB & AE)	
Electrical & General		
Power	AC 24V / Max. 3.5W	
Dimensions (approx.)	Φ115	
Weight (net)	Approx. 805.5g (without optional accessories)	